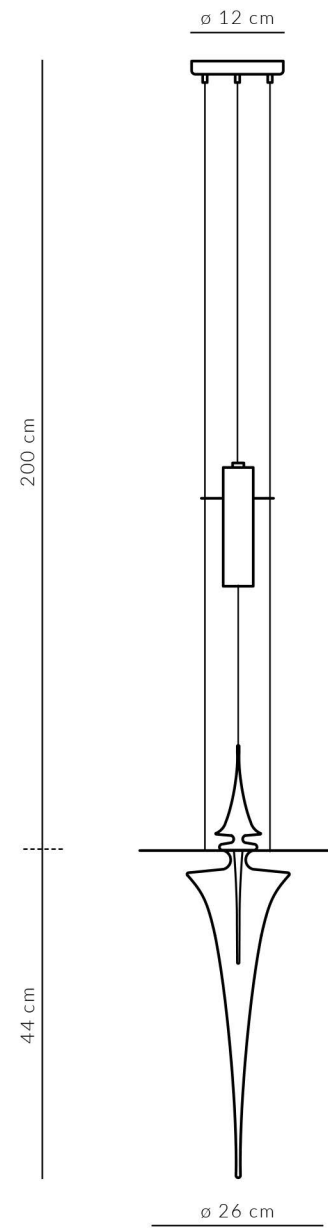




PERFUME

PENDANT LAMPS THAT TRANSCEND THEIR LIGHTING FUNCTION TO AROUSE EMOTION, GENERATED BY A SPECTACLE OF LIGHTS AND REFLECTIONS. PURE GLASS SHAPES, ESSENTIAL STYLE. POETRY OF LIGHT THAT GAINS EXPRESSION IN A SIMPLE, LINEAR DESIGN. CRAFTED PRODUCTION WHOSE IDENTITY LIES ON THE BORDER BETWEEN DESIGN AND APPLIED ART.

PERFUME SPEAR



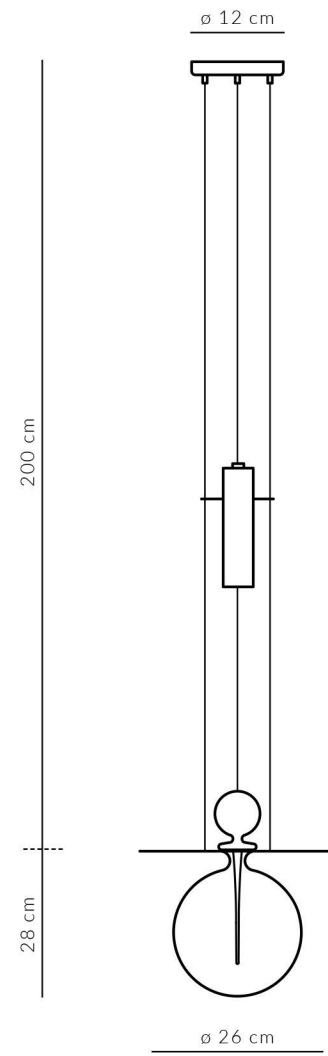
SUSPENSION LAMP

TRANSPARENT HAND-BLOWN GLASS SPEAR SHAPE.

Glass dimension h. 44 - $\varnothing 26$ cm, light source 3W LED 2800k. Metal parts in anodised aluminium. Complete with decorative glass cap available in transparent, frosted, platinum and gold finishing.



PERFUME SPHERE



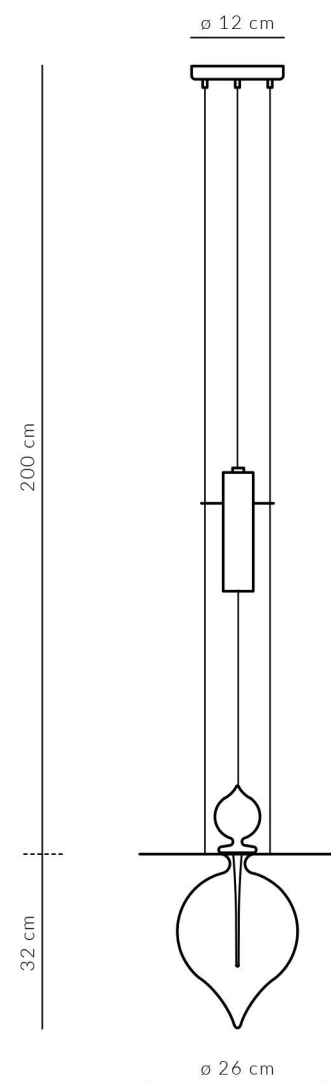
SUSPENSION LAMP

TRANSPARENT HAND-BLOWN GLASS SPHERE SHAPE.

Glass dimension h. 28 - \varnothing 26 cm, light source 3W LED 2800k. Metal parts in anodised aluminium. Complete with decorative glass cap available in transparent, frosted, platinum and gold finishing.



PERFUME PINECONE



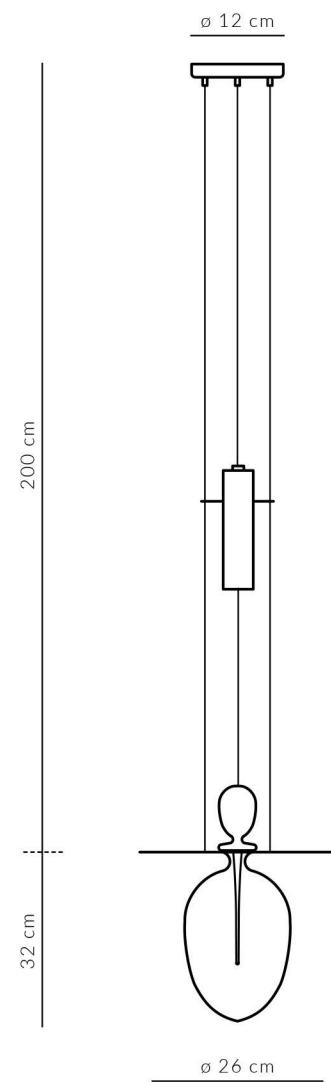
SUSPENSION LAMP

TRANSPARENT HAND-BLOWN GLASS PINECONE SHAPE.

Glass dimension h. 32 - \varnothing 26 cm, light source 3W LED 2800k. Metal parts in anodised aluminium. Complete with decorative glass cap available in transparent, frosted, platinum and gold finishing.



PERFUME EGG



SUSPENSION LAMP

TRANSPARENT HAND-BLOWN GLASS EGG SHAPE.

Glass dimension h. 32 - \varnothing 26 cm, light source 3W LED 2800k. Metal parts in anodised aluminium. Complete with decorative glass cap available in transparent, frosted, platinum and gold finishing.

